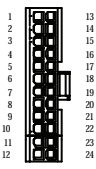
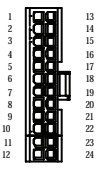




REVISIONS	DESCRIPTION	APPROVED	DATE



1. EPS12V(Intel) Main Power Connector (24Pin=20Pin+4Pin optional)

Pin	Color	Signal	Pin	Color	Signal	P1	Wire Length
1	Orange	+3.3Vdc	13	Orange	+3.3Vdc	 P1=400 ±10	 P1=400 ±10
	Brown	+3.3Vs.		14	Blue		
2	Orange	+3.3Vdc	15	Black	COM		
3	Black	COM	16	Green	PS_ON#		
4	Red	+5Vdc	17	Black	COM		
5	Black	COM	18	Black	COM		
6	Red	+5Vdc	19	Black	COM		
7	Black	COM	20	N.C.			
8	Gray	PWR_OK	21	Red	+5Vdc		
9	Purple	+5Vsb	22	Red	+5Vdc		
10	Yellow	+12V1dc	23	Red	+5Vdc		
11	Yellow	+12V1dc	24	Black	COM		
12	Orange	+3.3Vdc					

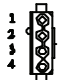
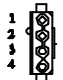
4. Floppy Drive Power Connector(s) (4Pin)

Pin	Color	Signal	P5,P8	Wire Length
1	Red	+5Vdc	 P5,P8=150 ± 10	 P5,P8=150 ± 10
2	Black	COM		
3	Black	COM		
4	Yellow	+12Vdc		

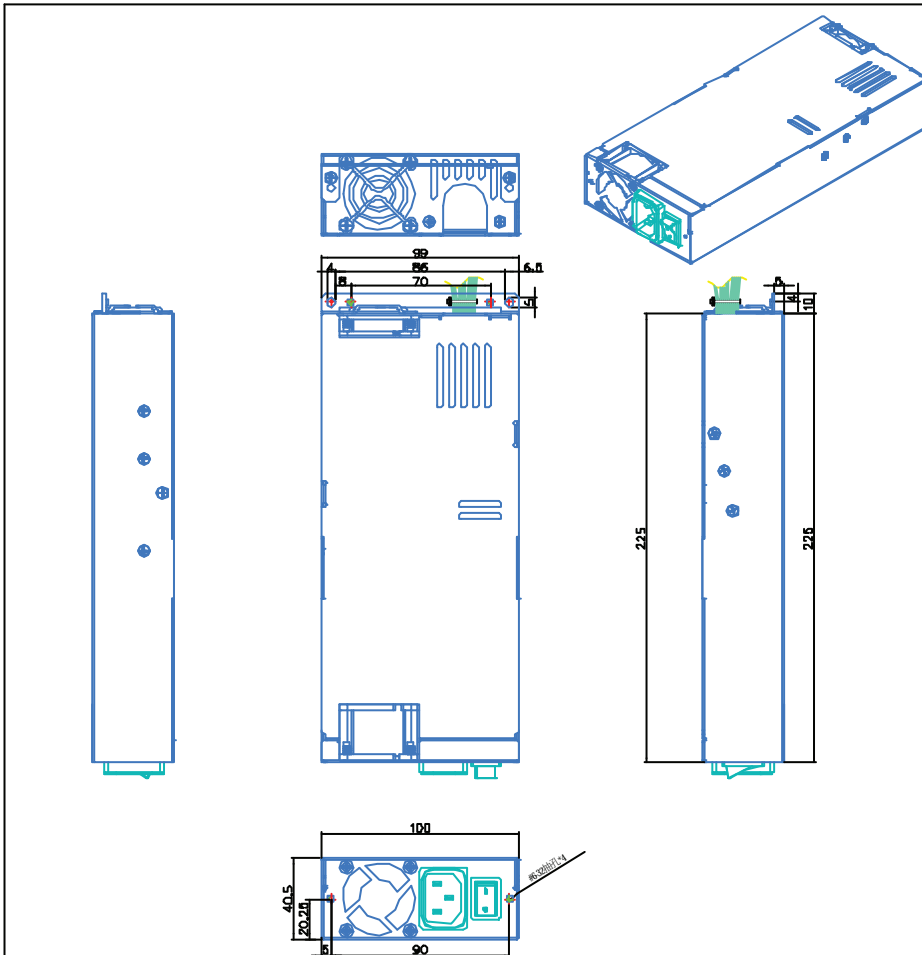
2. Processor Power Connector (4Pin)

Pin	Color	Signal	P2	Wire Length
1	Black	COM	 P2=400 ±10	 P2=400 ±10
2	Black	COM		
3	Yellow	+12Vdc		
4	Yellow	+12Vdc		

3. Peripheral Power Connector(s) (4Pin)

Pin	Color	Signal	P3,P4,P6,P7	Wire Length
1	Yellow	+12Vdc	 P3,P6=400 ± 10 P4,P7=150 ± 10	 P3,P6=400 ± 10 P4,P7=150 ± 10
2	Black	COM		
3	Black	COM		
4	Red	+5Vdc		

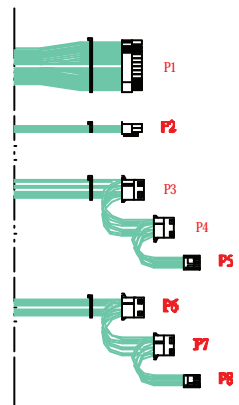
MODEL NAME	ST-350UAC Connector	Seventeam		
PART NO.		七盟電子工業股份有限公司		
MATERIAL	Standard	DATE	2006/02/16	
APPROVED	鄭佳慶	06/02/27	PROJECTION	
CHECKED	廖志偉	06/02/27	REV NO.	0.1
DRAWN	薛龍	06/02/16	TOLERANCE	/
			UNIT	mm



REVISIONS	DESCRIPTION	APPROVED	DATE

POWER WIRE LENGTH							
P1	P2	P3	P4	P5	P6	P7	P8
400	400	400	150	150	400	150	150

NOTE: 線材外露長度公差為 ±0mm .



MODEL NAME	ST-350UAC 示意圖	Seventeam		
PART NO.		七盟電子工業股份有限公司		
MATERIAL	Standard	DATE	2006/02/16	
APPROVED	鄭佳慶	06/02/27	PROJECTION	
CHECKED	廖志偉	06/02/27	REV NO.	0.1
DRAWN	薛龍	06/02/16	TOLERANCE	/
			UNIT	mm