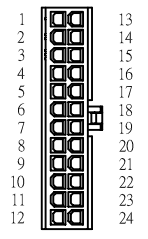
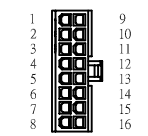


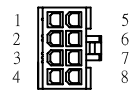
8. Power Connector (24Pin)

Pin	Color	Signal	Pin	Color	Signal	P12	Wire Length
1	Orange	+3.3Vdc	13	Orange	+3.3Vdc	 JP2416-24 or EQU.	P12=400 ± 10
2	Orange	+3.3Vdc	14	Blue	-12Vdc		
3	Black	COM	15	Black	COM		
4	Red	+5Vdc	16	Green	PS_ON#		
5	Black	COM	17	Black	COM		
6	Red	+5Vdc	18	Black	COM		
7	Black	COM	19	Black	COM		
8	Gray	PWR_OK	20	N.C.			
9	Purple	+5Vsb	21	Red	+5Vdc		
10	Yellow	+12Vdc	22	Red	+5Vdc		
11	Yellow	+12Vdc	23	Red	+5Vdc		
12	Orange	+3.3Vdc	24	Black	COM		

9. Power Connector (16Pin)

Pin	Color	Signal	Pin	Color	Signal	P13	Wire Length
1	Brown	+3.3Vs.	9	Yellow	+12Vdc	 JP2416-16 or EQU.	P13=400 ± 10
2	Black	COM	10	Yellow	+12Vdc		
3	Black	COM	11	Yellow	+12Vdc		
4	Black	COM	12	Yellow	+12Vdc		
5	Black	COM	13	Yellow	+12Vdc		
6	Black	COM	14	Yellow	+12Vdc		
7	Black	COM	15	Black	COM		
8	Black	COM	16	Black	COM		

10.) Power Connector (8Pin)

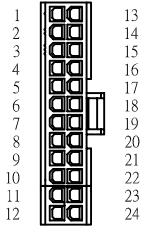
Pin	Color	Signal	P2	Wire Length
1	Red	+5Vdc	 JP2416 - 8 or EQU.	P2=400 ± 10
2	Red	+5Vdc		
3	Red	+5Vdc		
4	Red	+5Vdc		
5	Red	+5Vdc		
6	Red	+5Vdc		
7	Red	+5Vdc		
8	Red	+5Vdc		

REVISIONS	DESCRIPTION	APPROVED	DATE

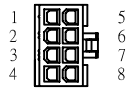
MODEL NAME	ST-600EAZ Connector				
PART NO.	600EAZ-ZK600300	七盟電子工業股份有限公司			
MATERIAL	Standard	DATE	2006/06/12		
APPROVED	簡吉銘	PROJECTION			
CHECKED	李誌偉	REV NO.	A0	SCALE	1:1
DRAWN	陳君勵	TOLERANCE	/	UNIT	mm

有鉛料號 600EAZ-ZG600300

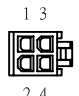
1. EPS12V(Intel) Main Power Connector (24Pin)

Pin	Color	Signal	Pin	Color	Signal	P1	Wire Length
1	Orange	+3.3Vdc	13	Orange	+3.3Vdc	 H756-20N + H756-04N or EQU.	P1=450 ± 10
				Brown	+3.3Vs.		
2	Orange	+3.3Vdc	14	Blue	-12Vdc		
3	Black	COM	15	Black	COM		
4	Red	+5Vdc	16	Green	PS_ON#		
5	Black	COM	17	Black	COM		
6	Red	+5Vdc	18	Black	COM		
7	Black	COM	19	Black	COM		
8	Gray	PWR_OK	20	N.C.			
9	Purple	+5Vsb	21	Red	+5Vdc		
10	Yellow	+12V2dc	22	Red	+5Vdc		
11	Yellow	+12V2dc	23	Red	+5Vdc		
12	Orange	+3.3Vdc	24	Black	COM		


2. Processor(Intel) Power Connector (8Pin)

Pin	Color	Signal	P2	Wire Length
1	Black	COM	 JP2416 - 8 or EQU.	P2=450 ± 10
2	Black	COM		
3	Black	COM		
4	Black	COM		
5	Yellow/Black	+12V1dc		
6	Yellow/Black	+12V1dc		
7	Yellow/Black	+12V1dc		
8	Yellow/Black	+12V1dc		

3. Processor Power Connector (4Pin)

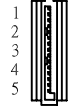
Pin	Color	Signal	P3	Wire Length
1	Black	COM	 JP2416 - 4 or EQU.	P3=150 ± 10
2	Black	COM		
3	Yellow/Black	+12V1dc		
4	Yellow/Black	+12V1dc		

4. PCI Express Power Connector(s) (6Pin)

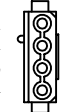
Pin	Color	Signal	P4,P5	Wire Length
1	Yellow	+12V2dc	 H756-06B or EQU.	P4=500 ± 10 P5=150 ± 10
2	Yellow	+12V2dc		
3	Yellow	+12V2dc		
4	Black	COM		
5	Black	COM		
6	Black	COM		

REVISIONS	DESCRIPTION	APPROVED	DATE

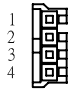
5. Serial ATA Power Connector(s) (15Pin)


Pin	Color	Signal	P6,P7	Wire Length
1	Yellow	+12V2dc	 JP6758-15 or EQU.	P6=500 ± 10 P7=200 ± 10
2	Black	COM		
3	Red	+5Vdc		
4	Black	COM		
5	Orange	+3.3Vdc		

6. Peripheral Power Connector(s) (4Pin)

Pin	Color	Signal	P8 ~ P10	Wire Length
1	Yellow	+12V2dc	 JP1120 - 4 or EQU.	P8= 400 ± 10 P9,P10=150 ± 10
2	Black	COM		
3	Black	COM		
4	Red	+5Vdc		

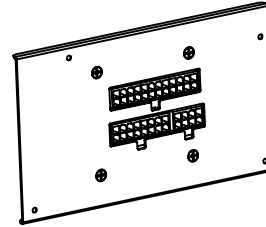
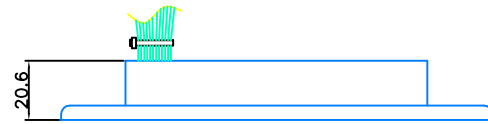
7. Floppy Drive Power Connector (4Pin)

Pin	Color	Signal	P11	Wire Length
1	Red	+5Vdc	 JP11635-4 or EQU.	P11=150±10
2	Black	COM		
3	Black	COM		
4	Yellow	+12V2dc		

MODEL NAME	ST-600EAZ Connector			
PART NO.	600EAZ-ZK600300	七盟電子工業股份有限公司		
MATERIAL	Standard	DATE	2006/06/12	
APPROVED	簡吉銘	PROJECTION		
CHECKED	李誌偉	REV NO.	A0	SCALE 1:1
DRAWN	陳君勵	TOLERANCE	/	UNIT mm

有鉛料號 600EAZ-ZG600300

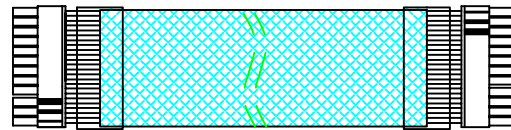
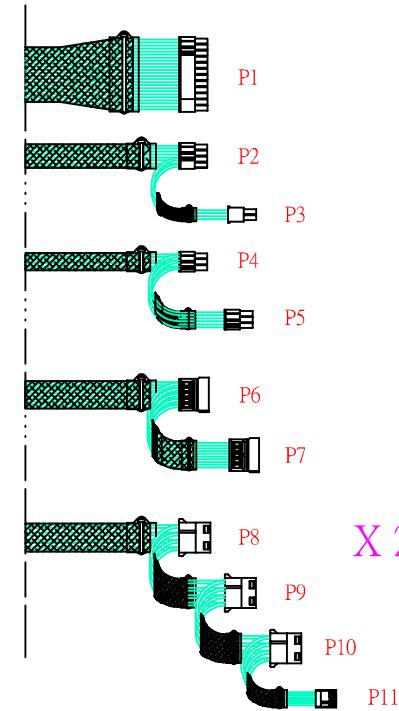
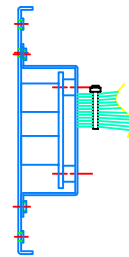
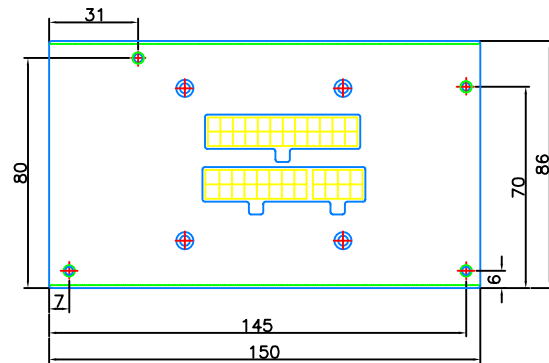
REVISIONS	DESCRIPTION	APPROVED	DATE



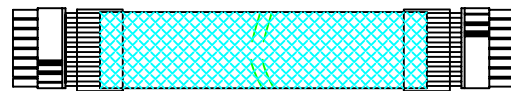
POWER WIRE LENGTH

P1	P2	P3	P4	P5	P6	P7	P8	P9
450	450	150	500	150	500	200	400	150
P10	P11	P12	P13	P14				
150	150	400	400	400				

NOTE:線材外露長度公差為±10mm.



P12



P13

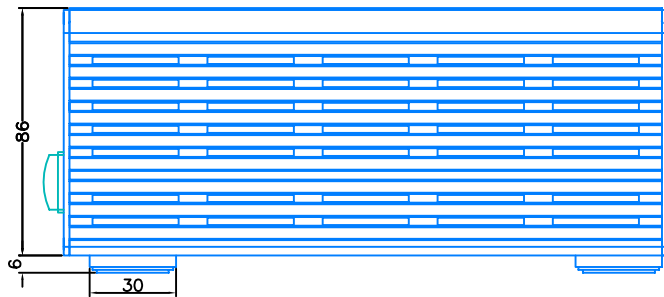
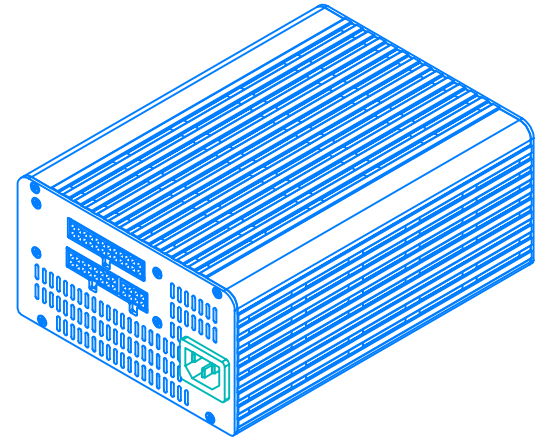
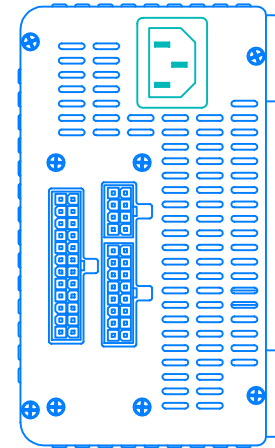
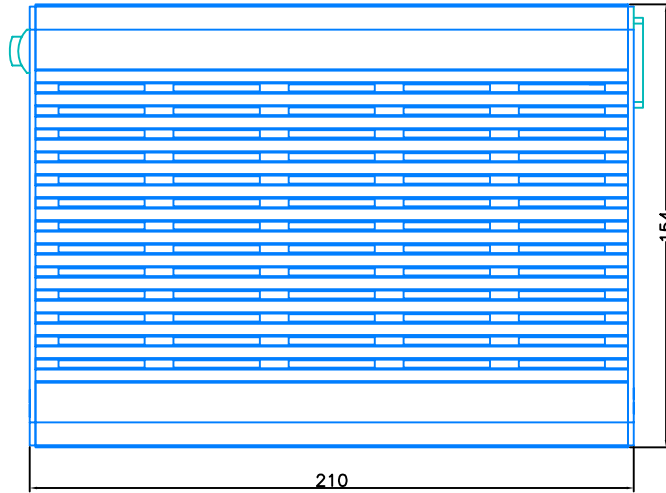
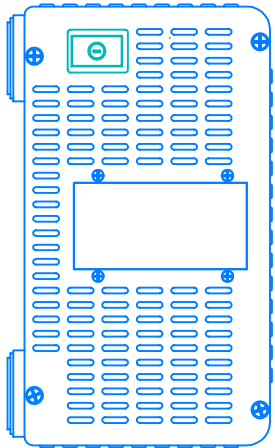
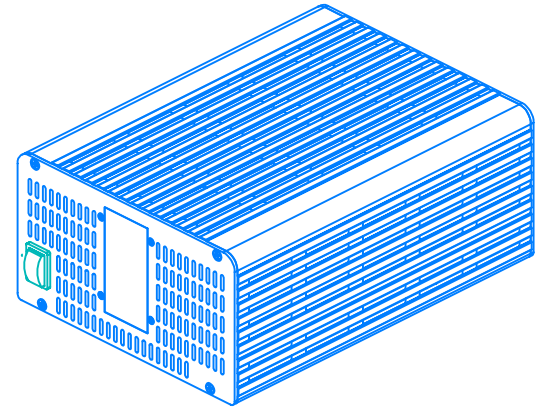
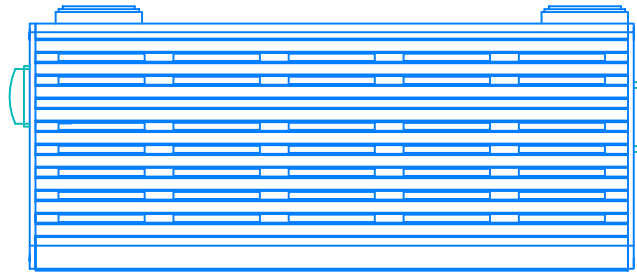


P14

MODEL NAME	ST-600EAZ PS2轉接板示意圖	Seventeam 七盟電子工業股份有限公司		
PART NO.	600EAZ-ZK600300			
MATERIAL	Standard	DATE	2006/06/12	
APPROVED	簡吉銘	PROJECTION		
CHECKED	李誌偉	REV NO.	A0	SCALE 1:1
DRAWN	陳君勵	TOLERANCE	/	UNIT mm

有鉛料號 600EAZ-ZG600300

REVISIONS	DESCRIPTION	APPROVED	DATE



MODEL NAME	ST-600EAZ 示意圖		 七盟電子工業股份有限公司		
PART NO.	600EAZ-ZK600300				
MATERIAL	Standard		DATE	2006/06/12	
APPROVED	簡吉銘		PROJECTION		
CHECKED	李誌偉		REV NO.	A0	SCALE 1:1
DRAWN	陳君勵		TOLERANCE	/	UNIT mm

有鉛料號 600EAZ-ZG600300